

Open air

by ALUMINCO



Ground fixing guide

ELEGANT.INNOVATIVE.UNIQUE

Ground fixing guide	1
Ground fixing guide	7
Alternative ground fixing with galvanized fixing base	15
Alternative ground fixing with concrete screw	21
Corner ground fixing guide	27
Ground fixing with secret screw	33
Ground fixing guide for fixed typology	41
Ground fixing guide for fixed typology - Installation with slope +/-10°	45

INSTALLATION METHODS

1



Inox allen screw M10x70	
Code	EB912-1070
Expansion plug	
Code	EB01M-1040

2



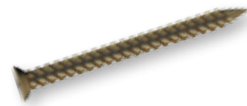
Galvanized fixing base	
Code	E2200-173

3



Concrete Screw Ø12-110	
Code	EBM-12110

4



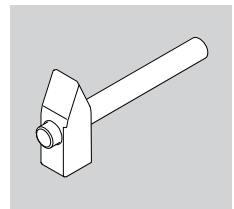
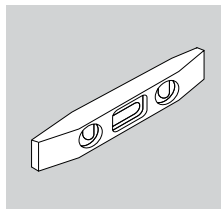
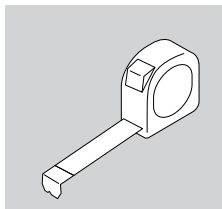
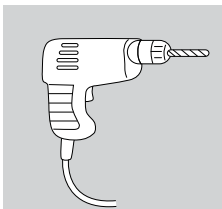
Concrete Torx Ø7.5x112	
Code	EBM-75112G

5



Concrete Allen Screw Ø10x120	
Code	EBM-10120G

REQUIRED TOOLS

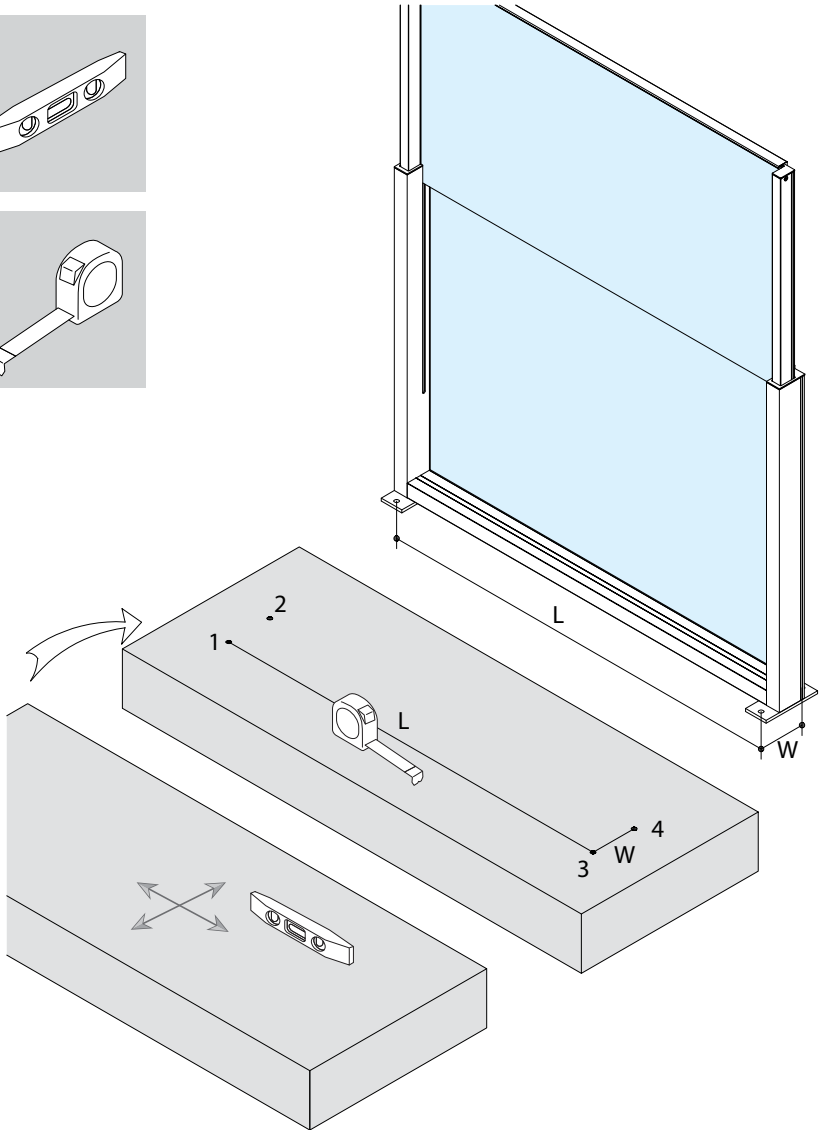
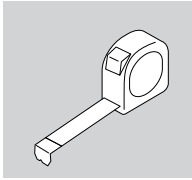
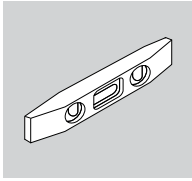


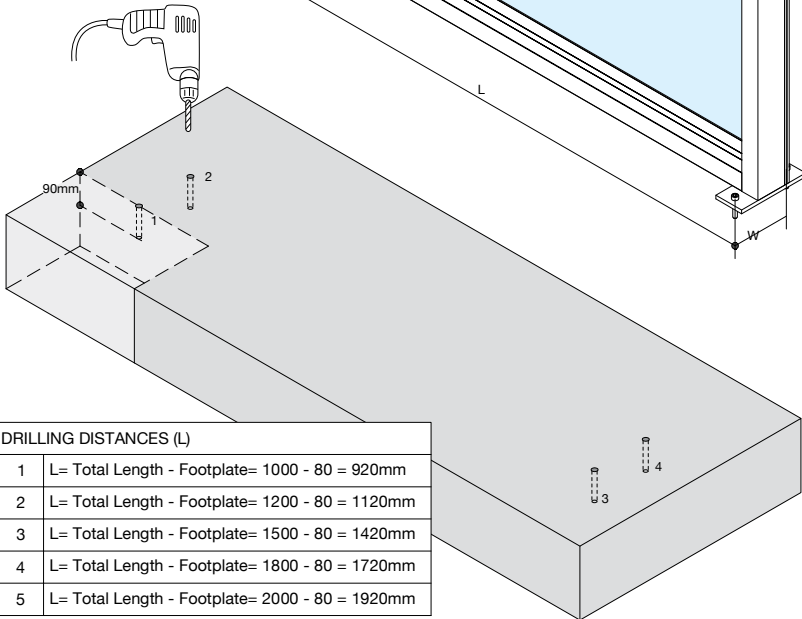
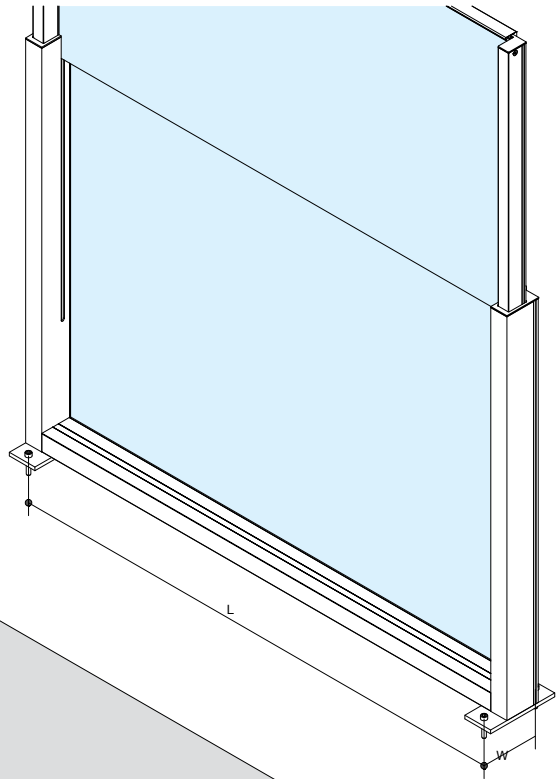
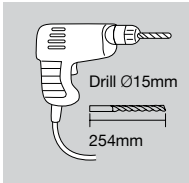
Open air

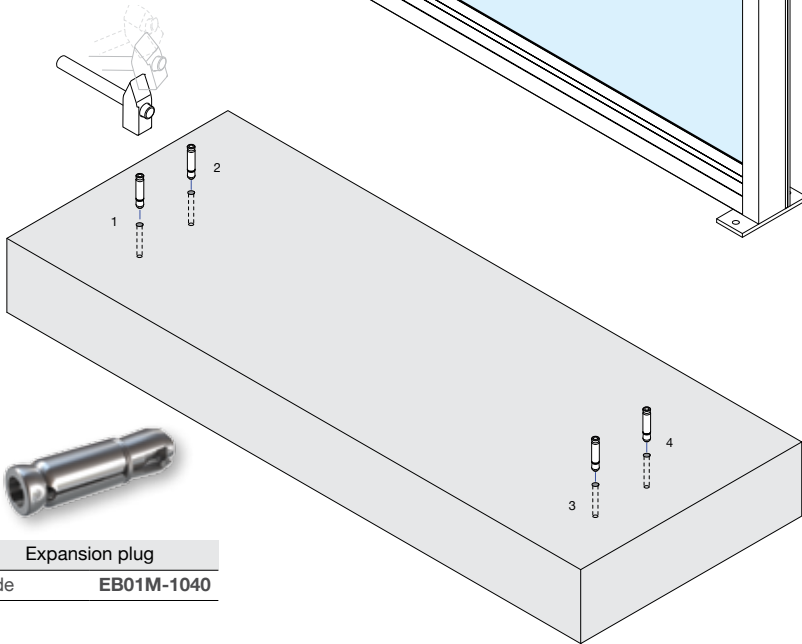
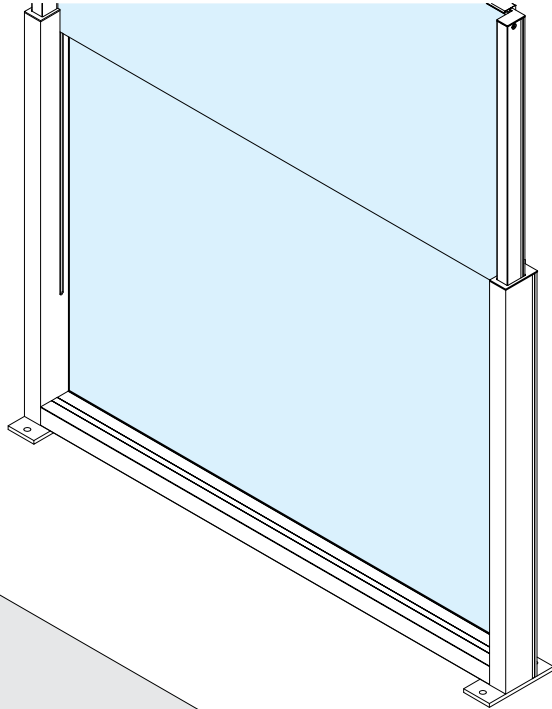
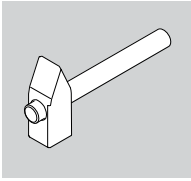
by ALUMINCO



Ground fixing guide





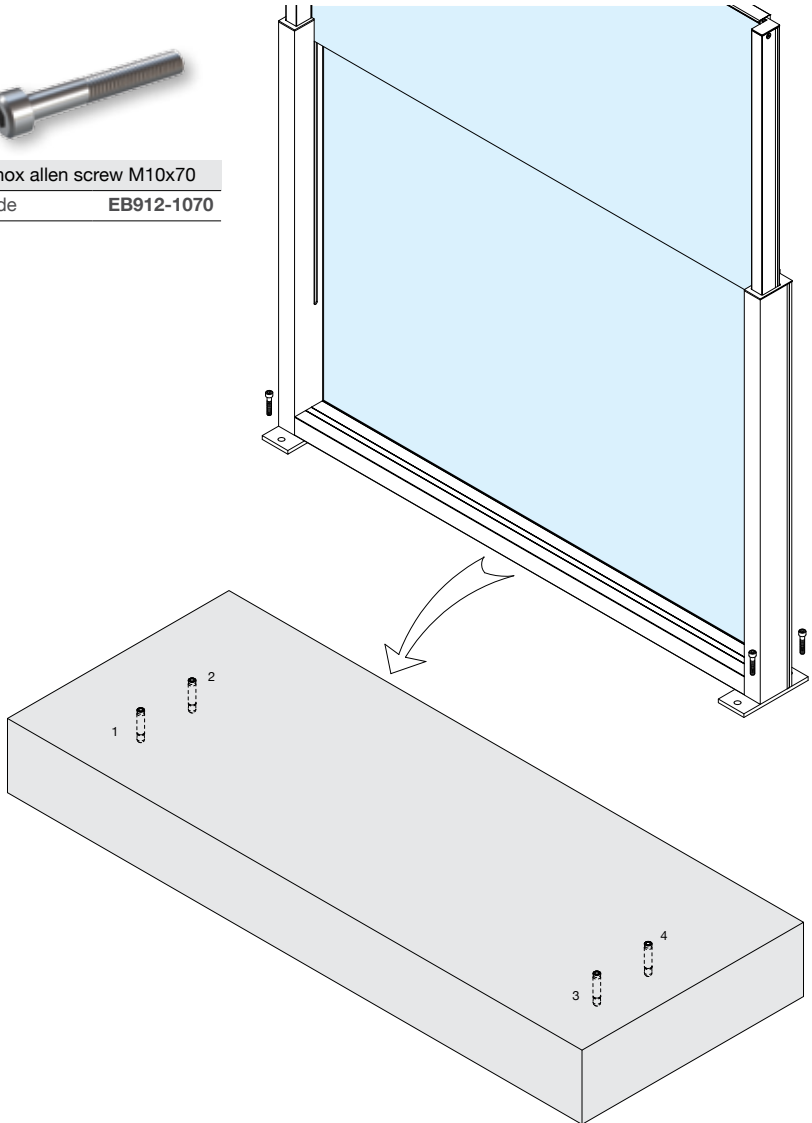


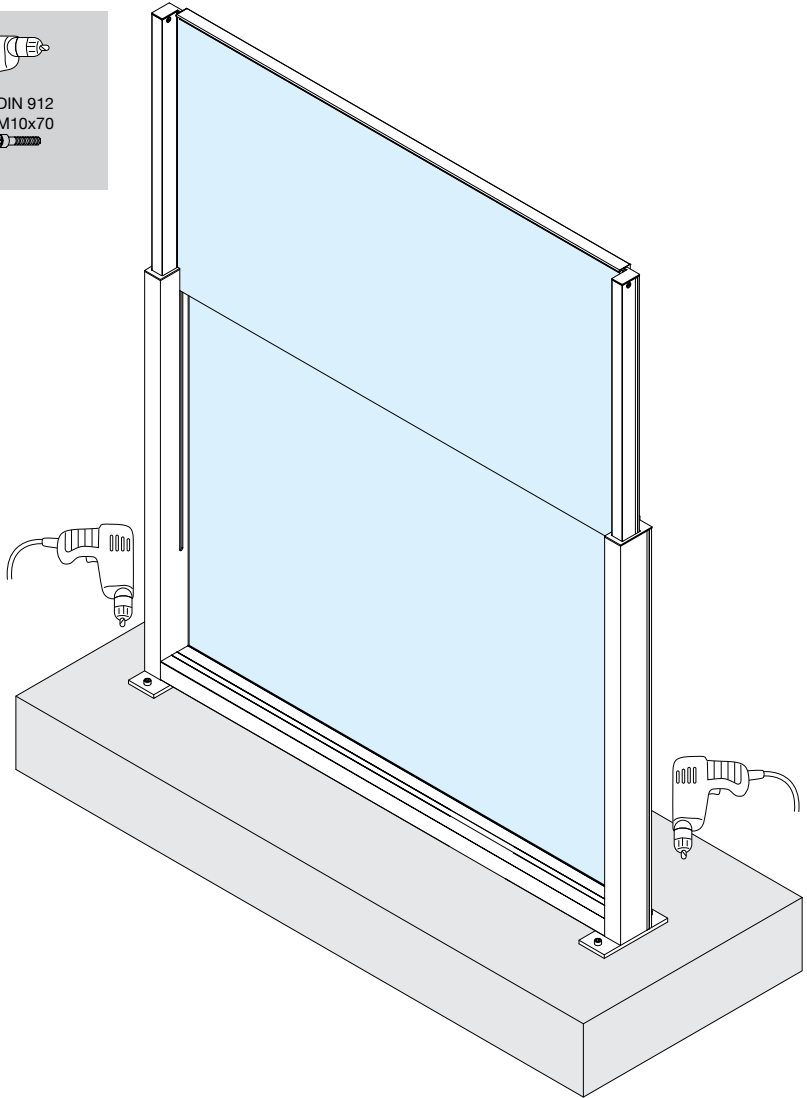
Expansion plug

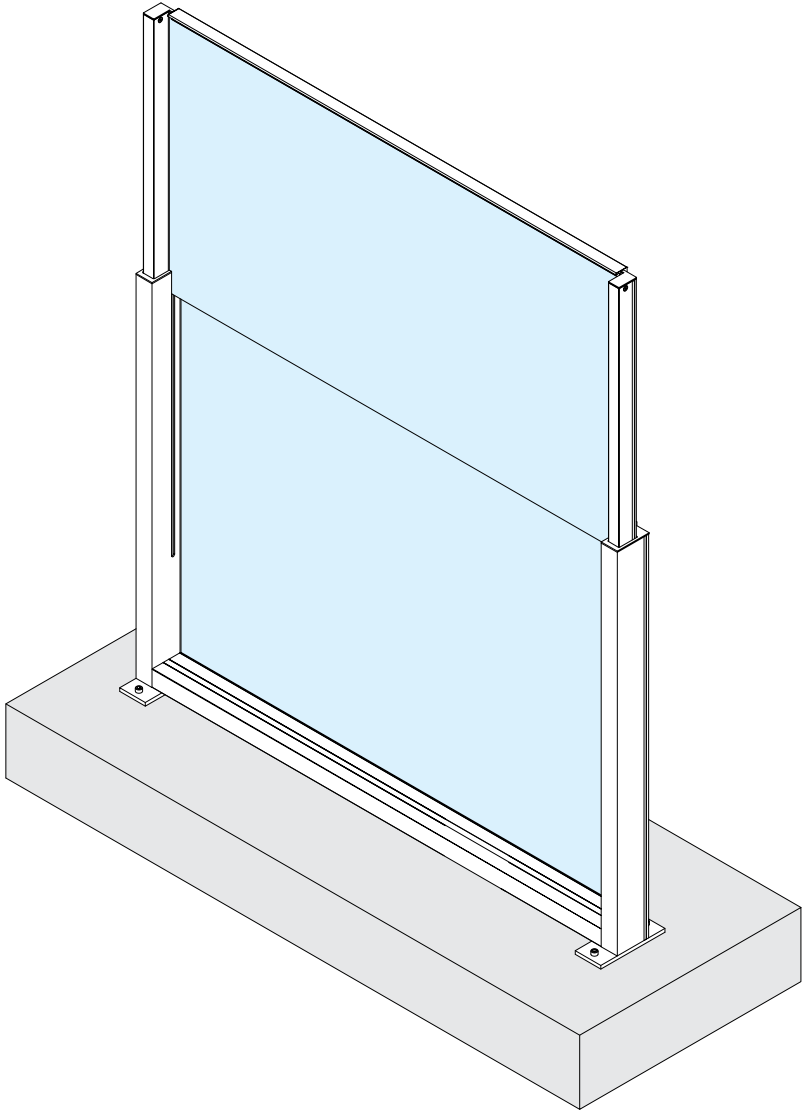
Code **EB01M-1040**



Inox allen screw M10x70
Code EB912-1070







Open air

by ALUMINCO

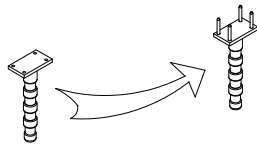
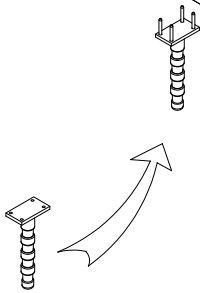
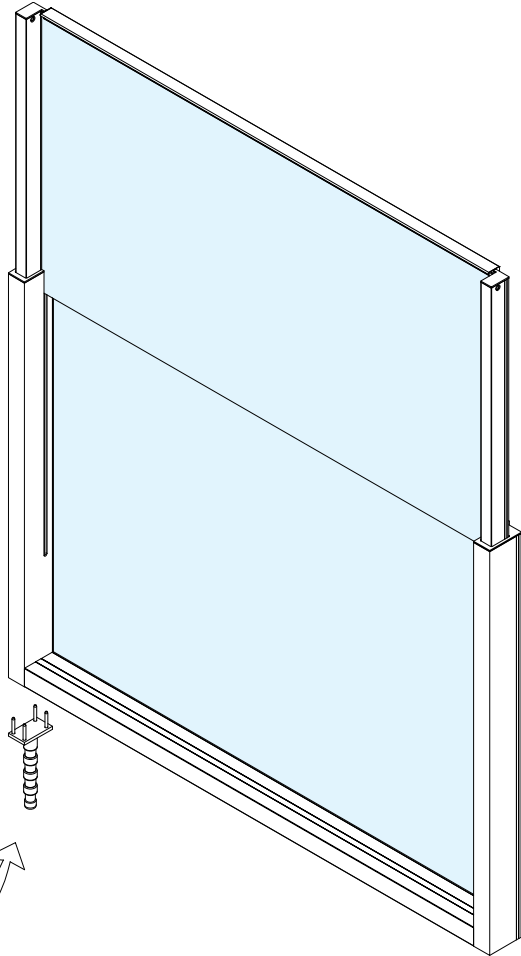
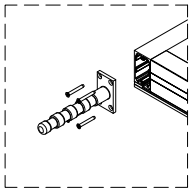


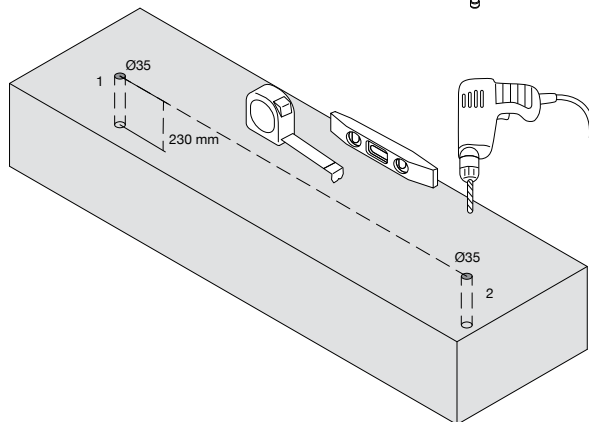
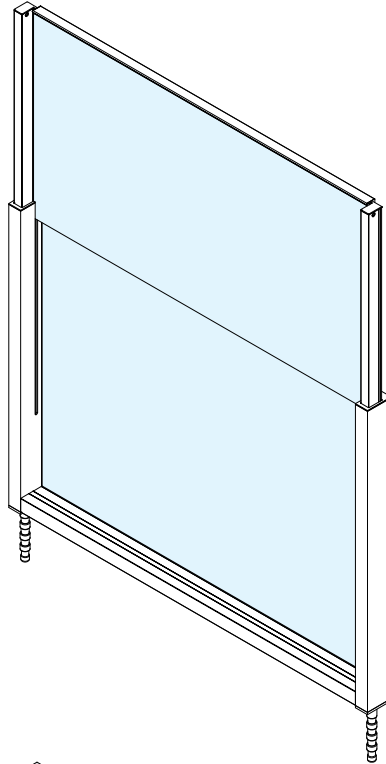
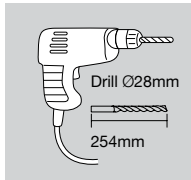
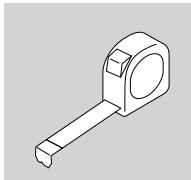
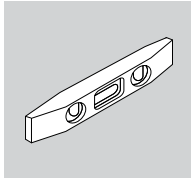
Alternative ground fixing with
galvanized fixing base

Alternative ground fixing with galvanized fixing base

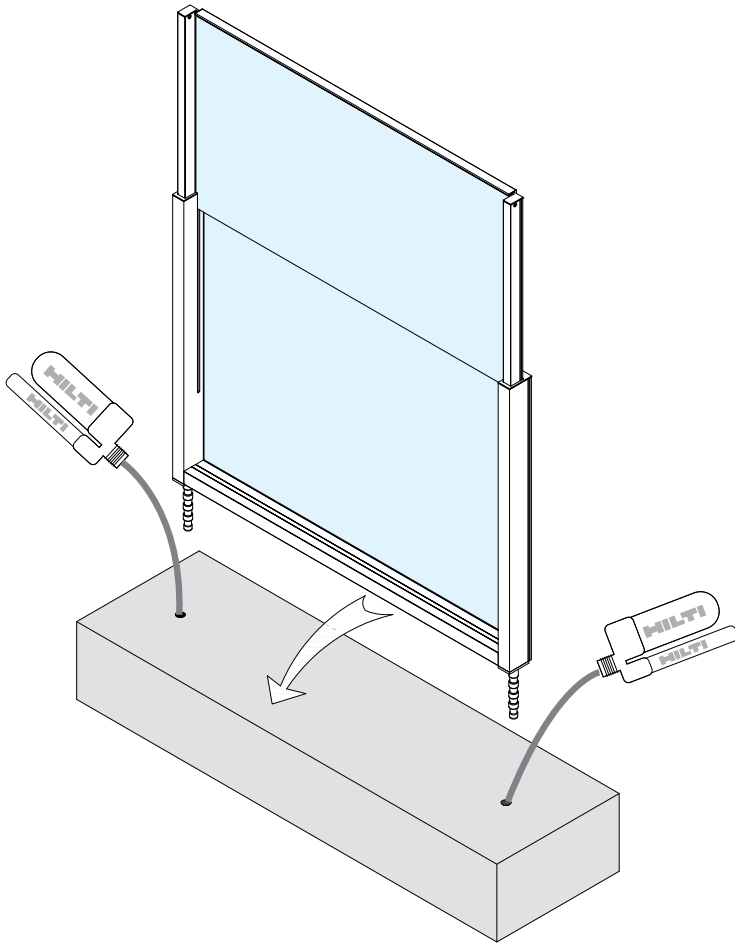


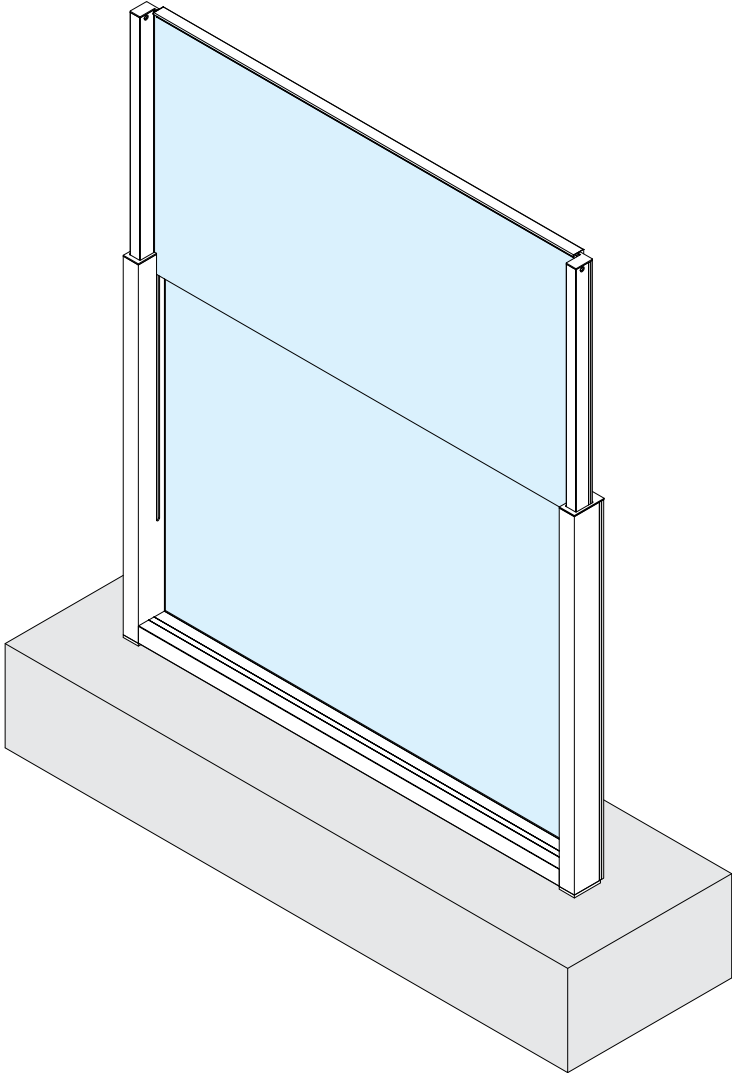
Galvanized fixing base
Code E2200-173





Alternative ground fixing with galvanized fixing base





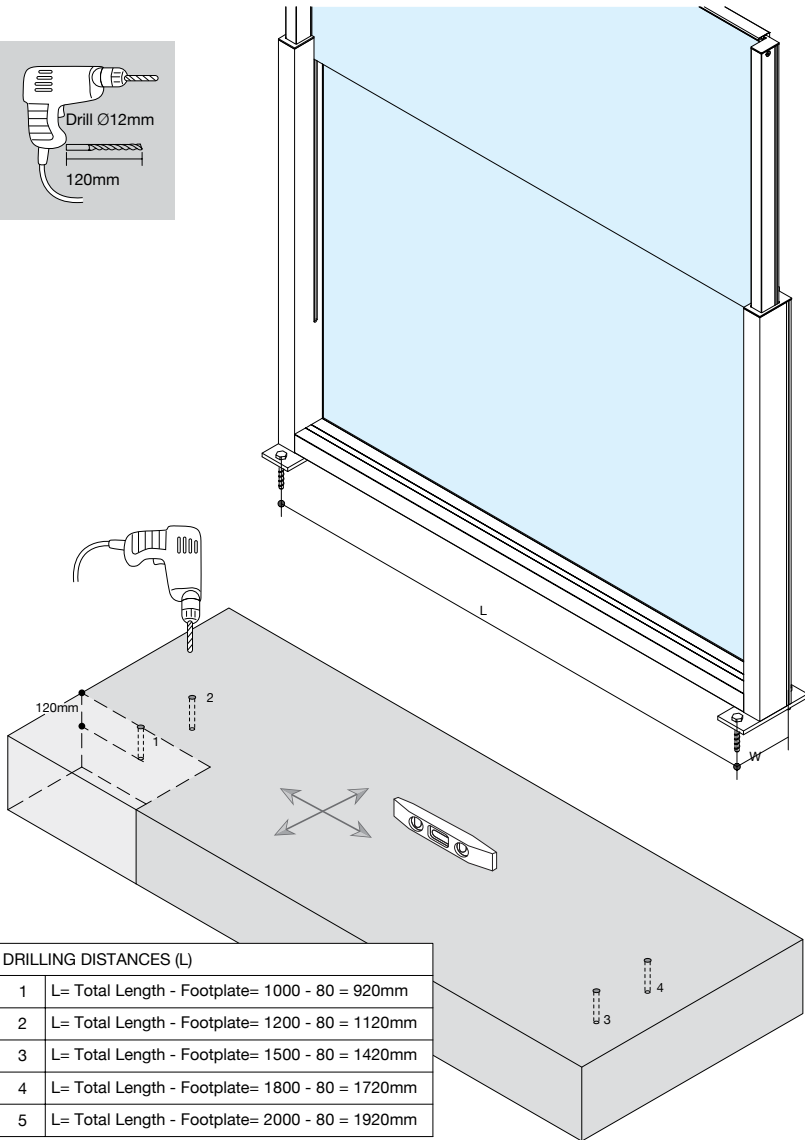
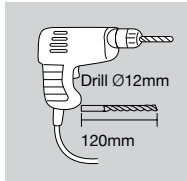
Open air

by ALUMINCO



Alternative ground fixing
with concrete screw

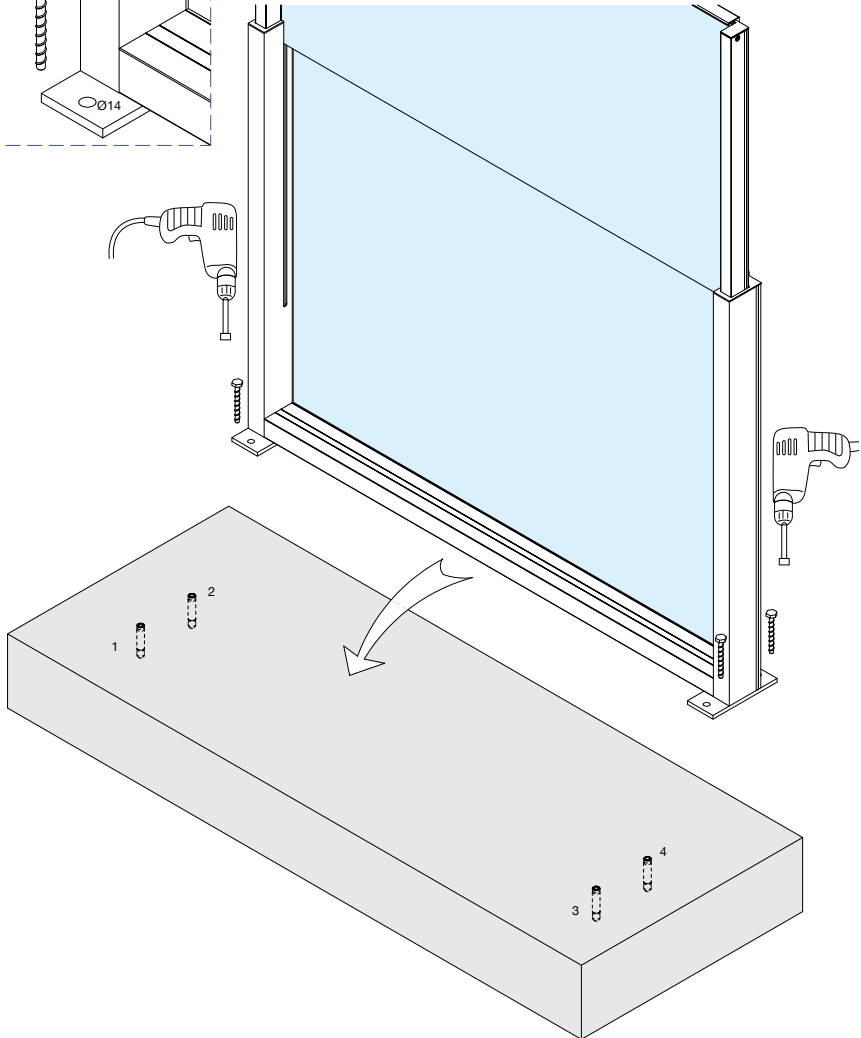
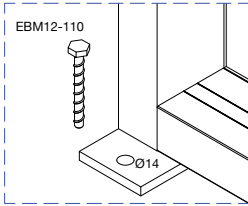
Alternative ground fixing with concrete screw



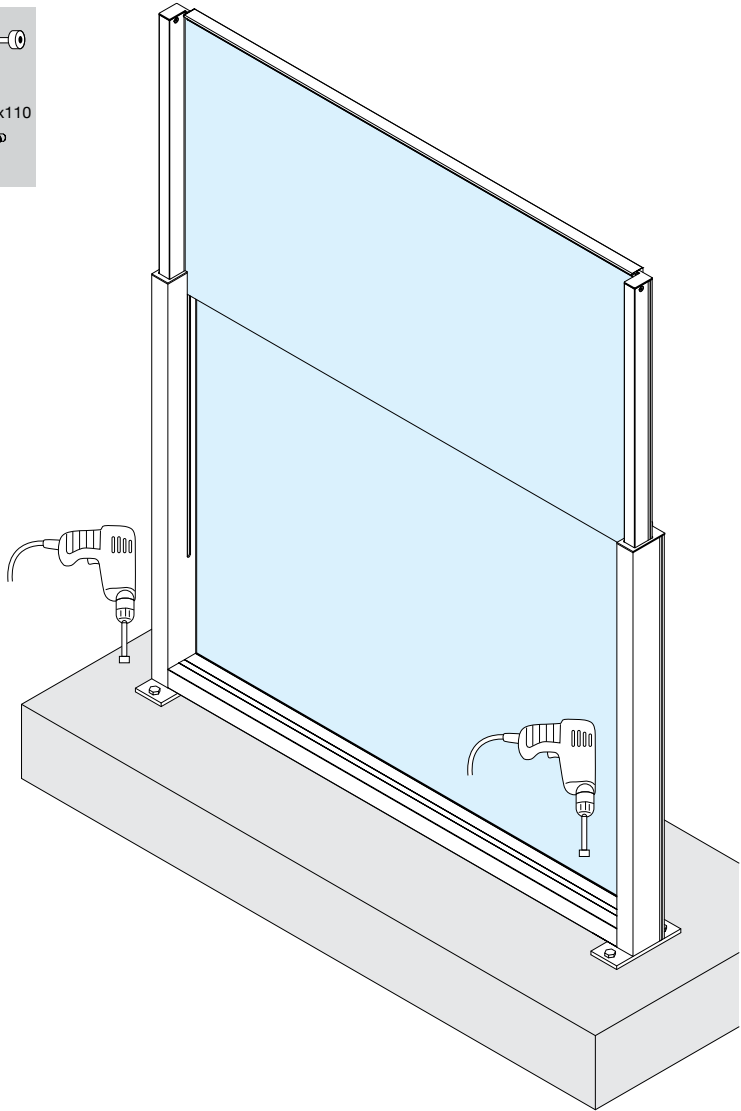
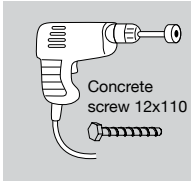


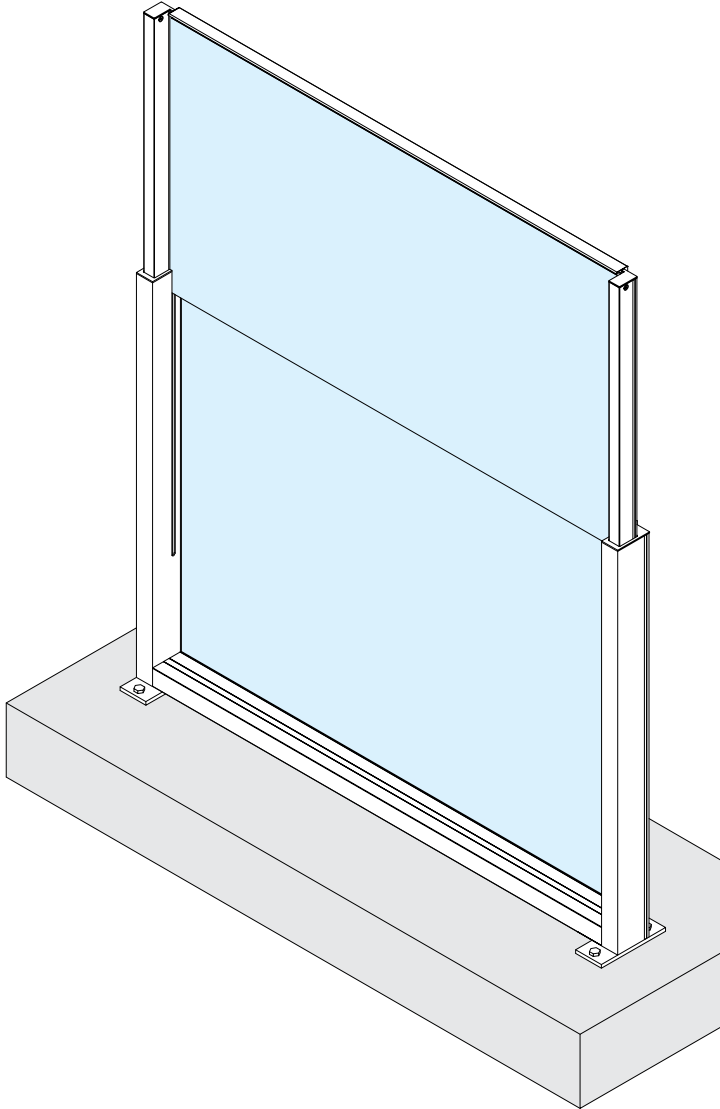
Concrete Screw Ø12-110

Code **EBM12-110**



Alternative ground fixing with concrete screw





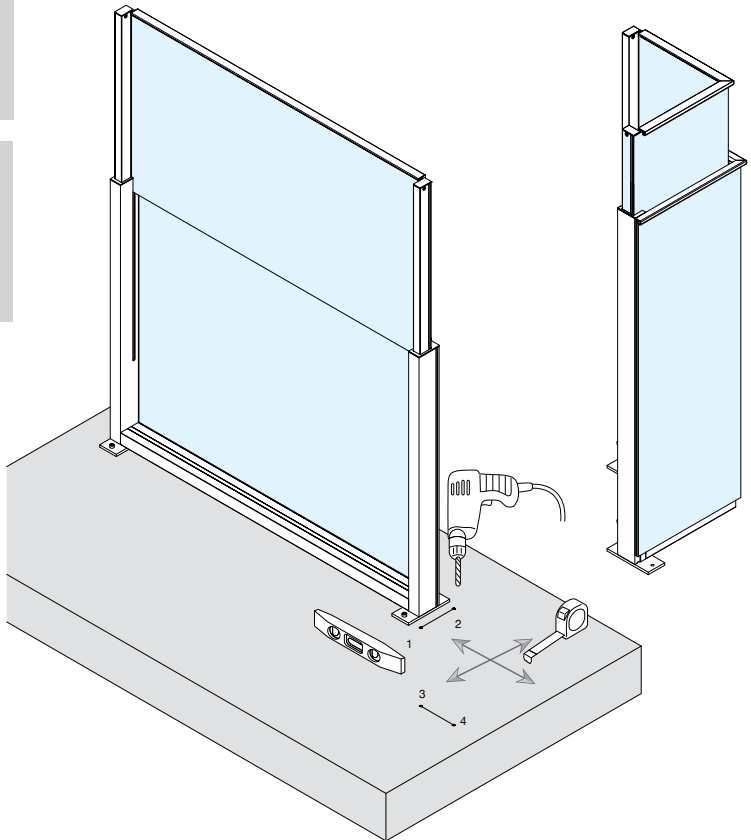
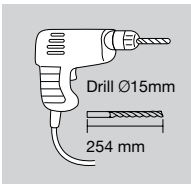
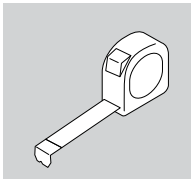
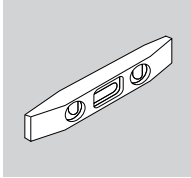
Open air

by ALUMINCO



Corner ground fixing guide

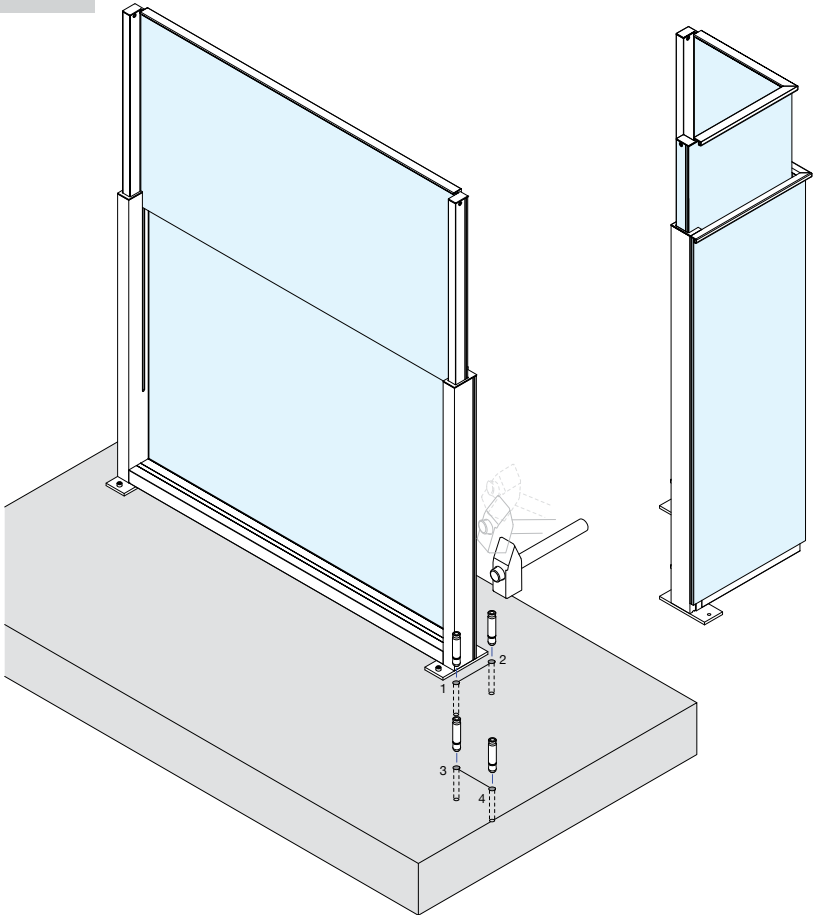
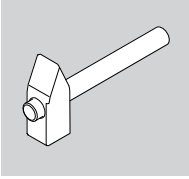
Corner ground fixing guide



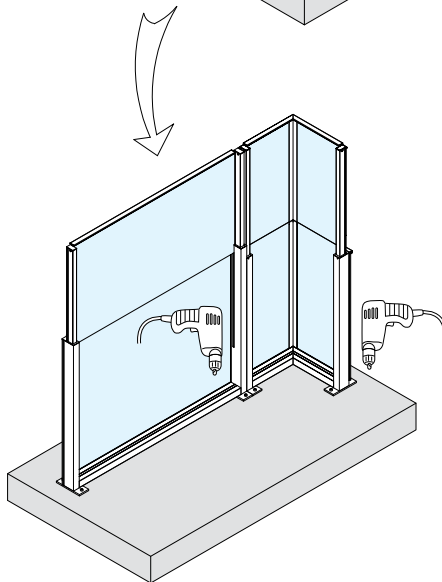
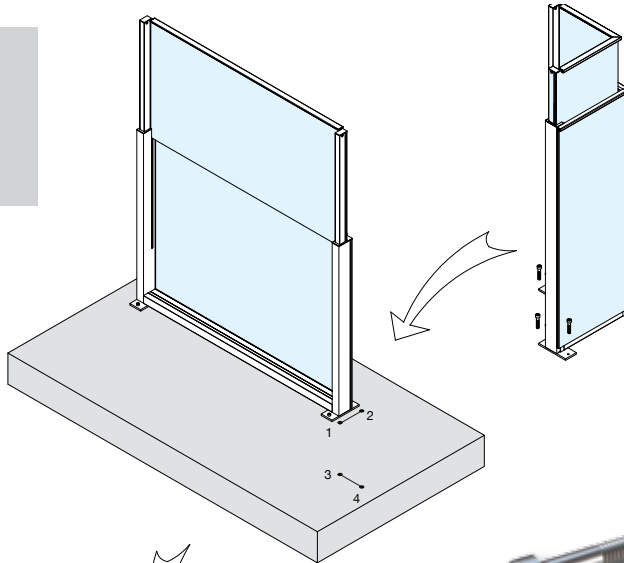
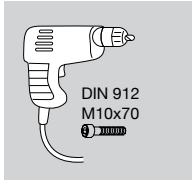


Expansion plug

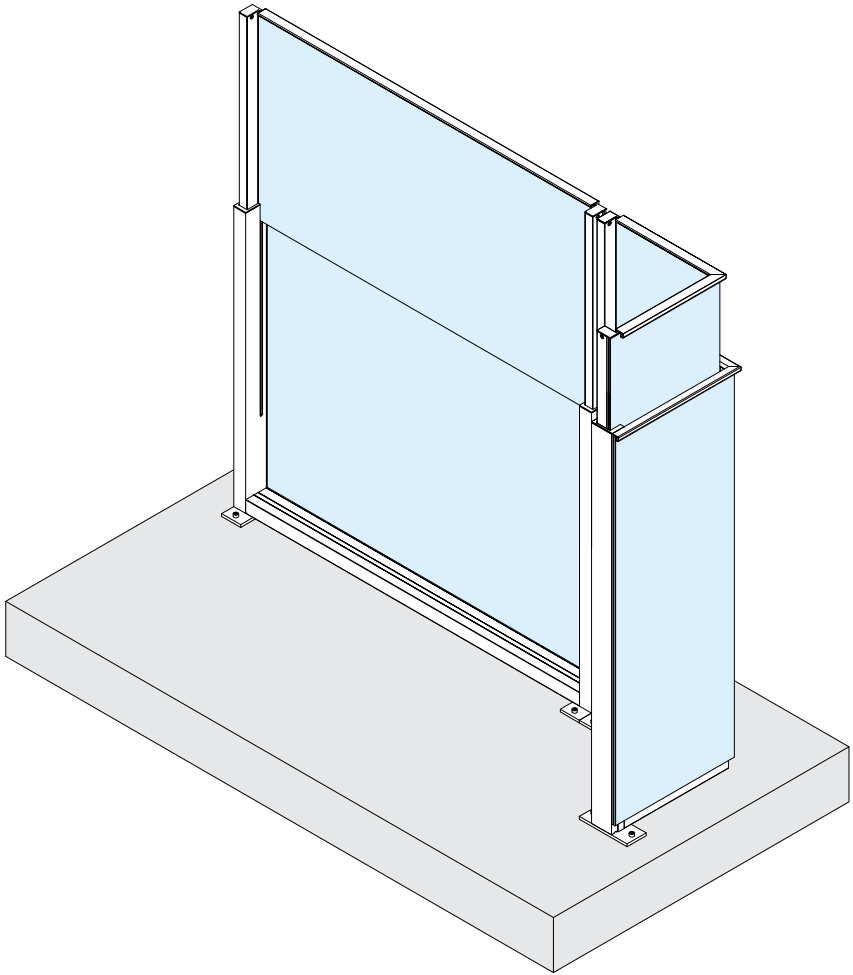
Code **EB01M-1040**



Corner ground fixing guide



Inox allen screw M10x70
Code EB912-1070

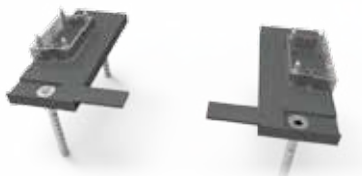


Open air

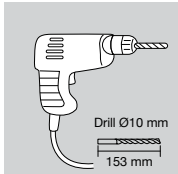
by ALUMINCO



Ground fixing with secret screw

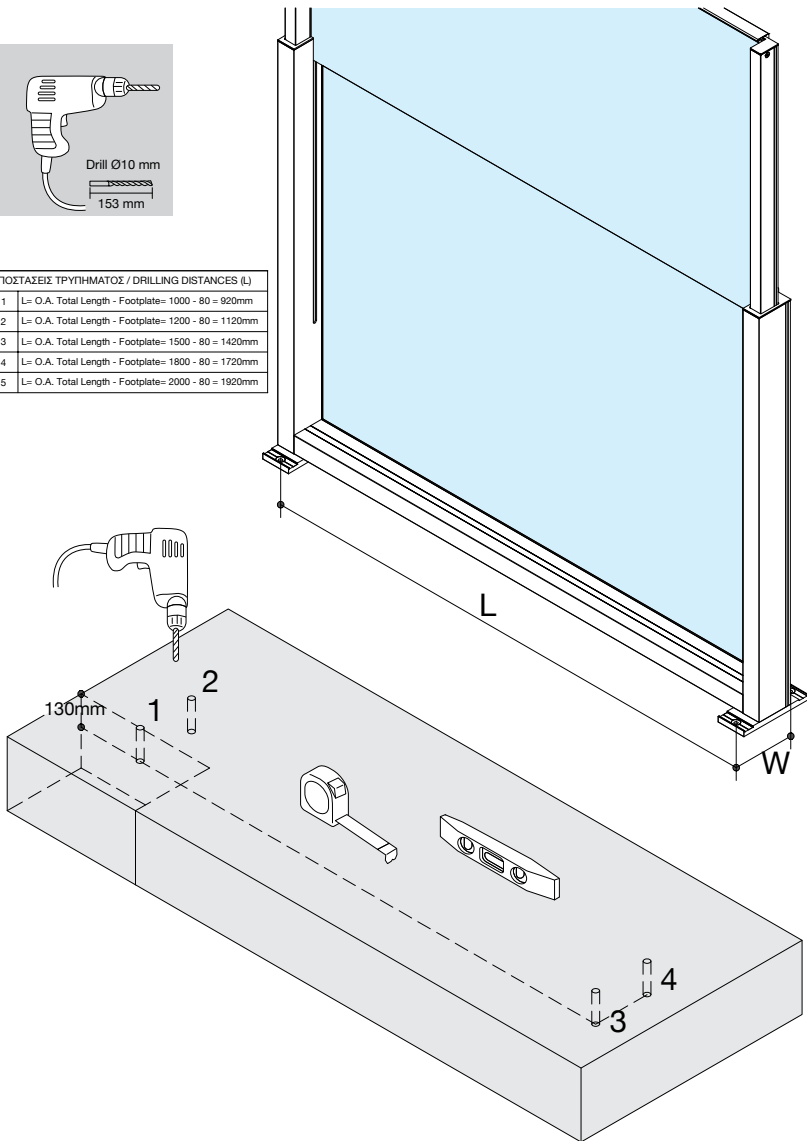


Ground fixing with secret screw



ΑΓΙΟΣΤΑΣΕΙΣ ΤΡΥΠΗΜΑΤΟΣ / DRILLING DISTANCES (L)

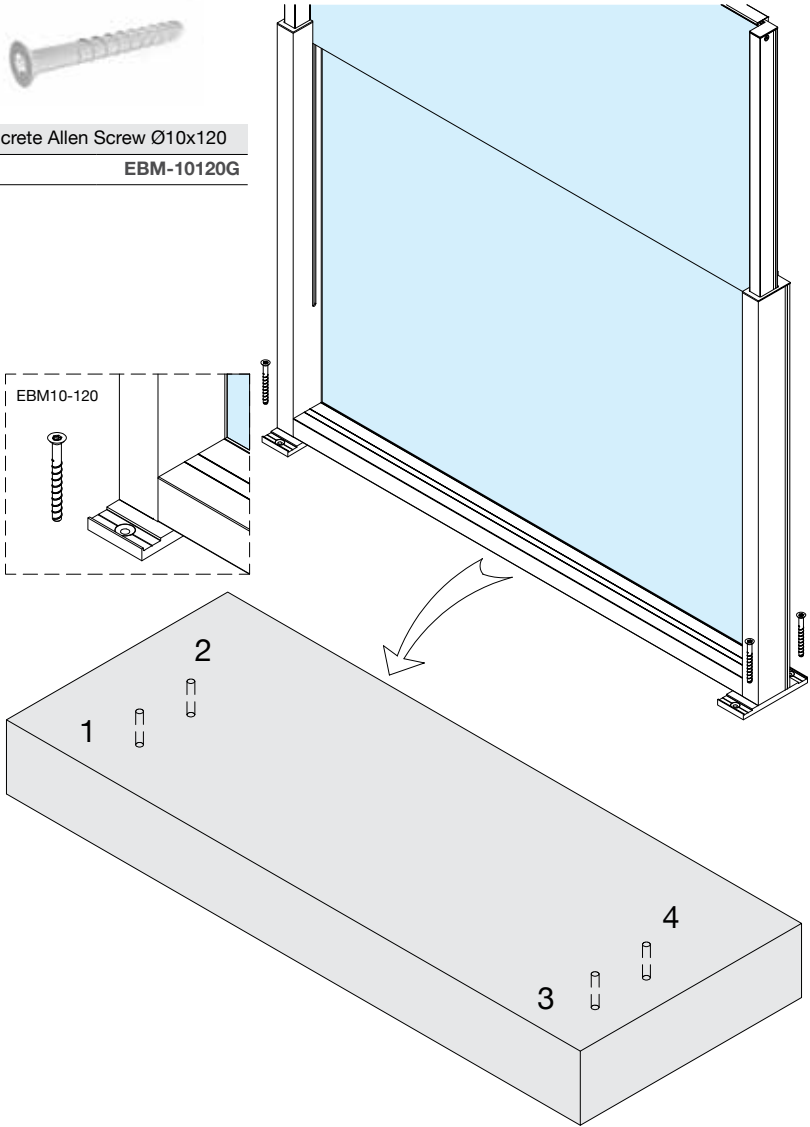
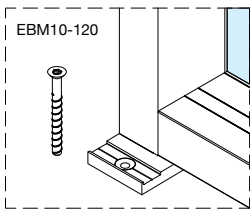
1	L= O.A. Total Length - Footplate= 1000 - 80 = 920mm
2	L= O.A. Total Length - Footplate= 1200 - 80 = 1120mm
3	L= O.A. Total Length - Footplate= 1500 - 80 = 1420mm
4	L= O.A. Total Length - Footplate= 1800 - 80 = 1720mm
5	L= O.A. Total Length - Footplate= 2000 - 80 = 1920mm



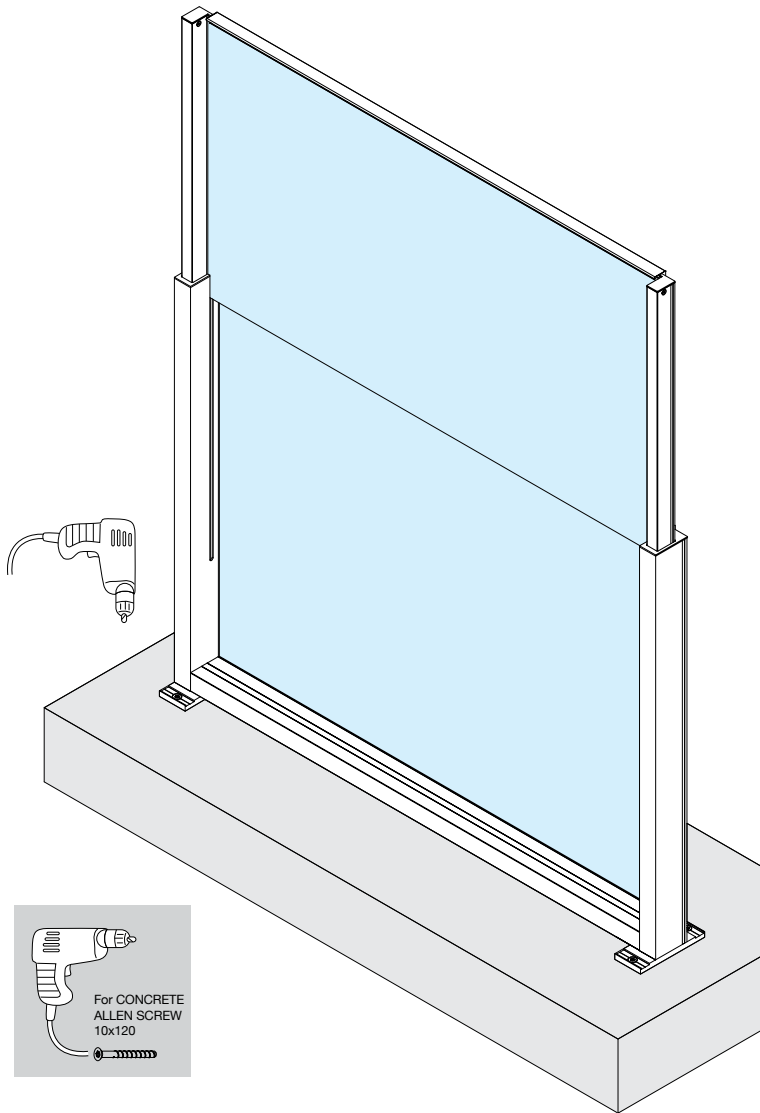


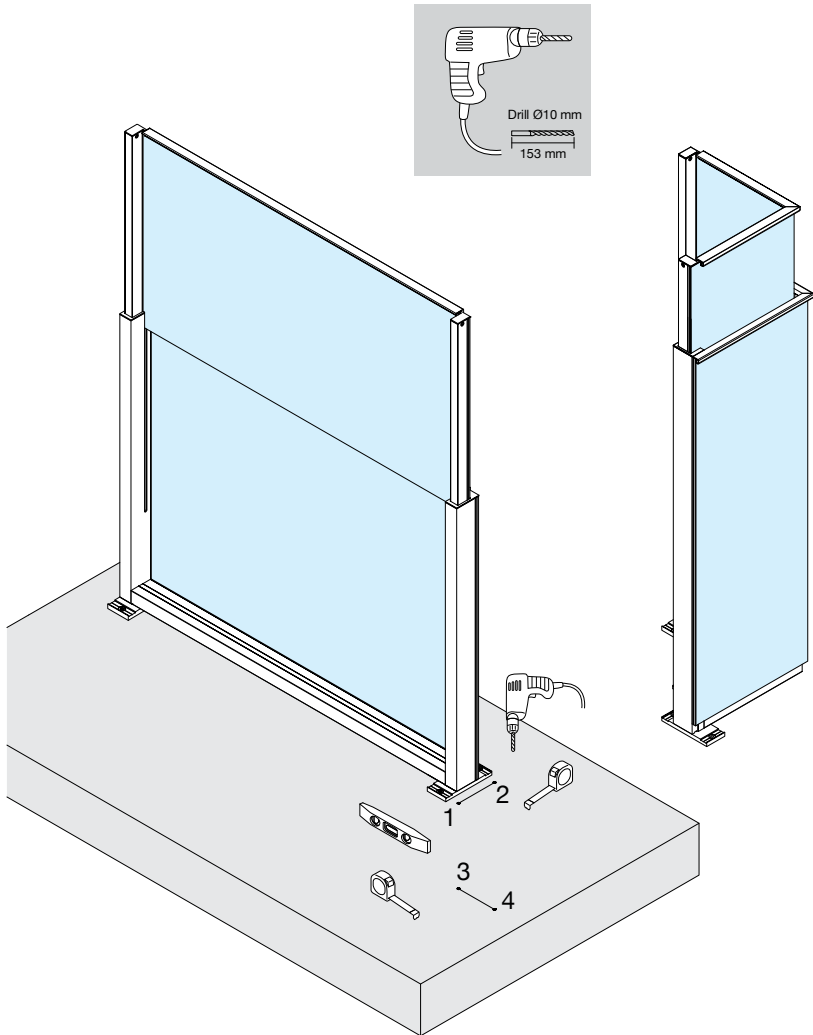
Concrete Allen Screw Ø10x120

Code **EBM-10120G**

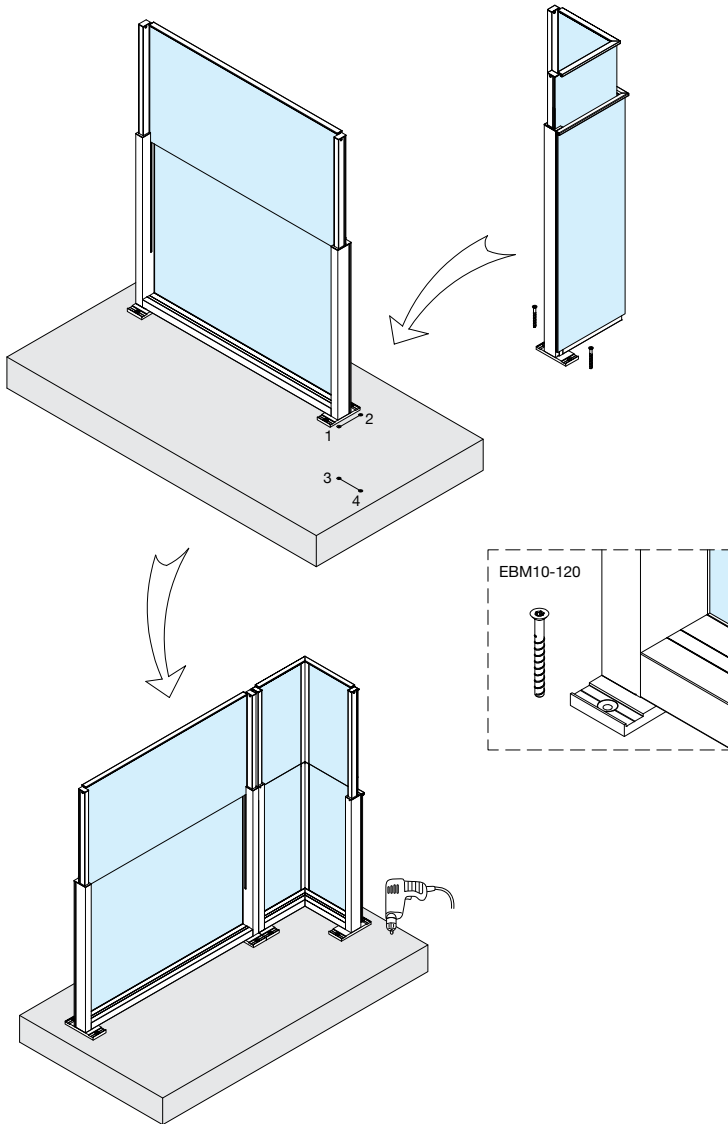


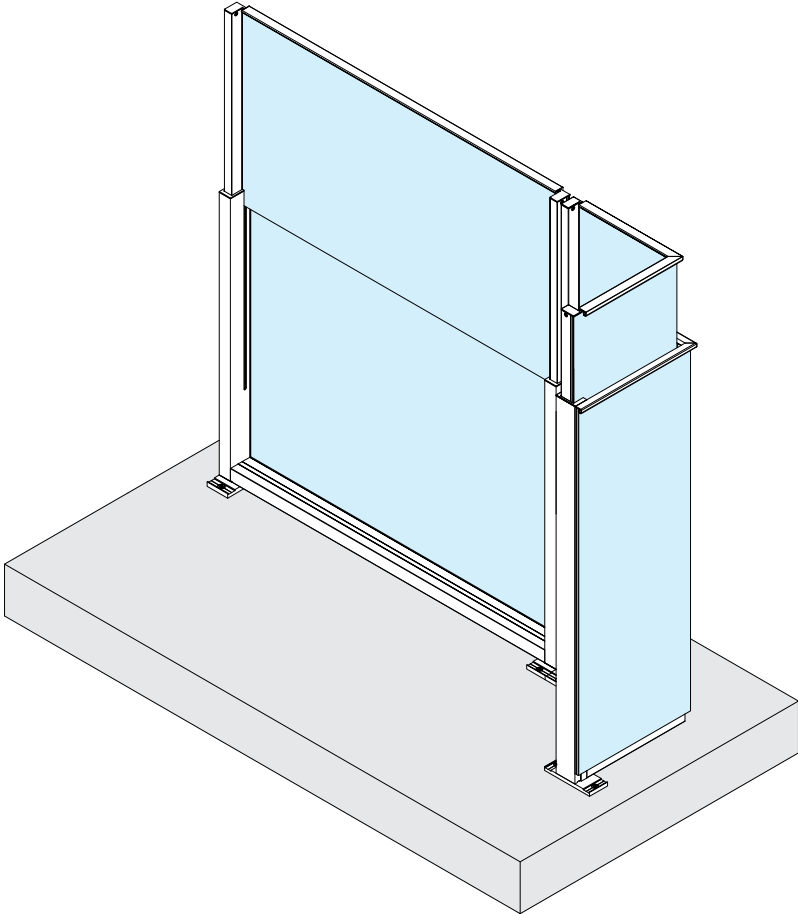
Ground fixing with secret screw





Ground fixing with secret screw



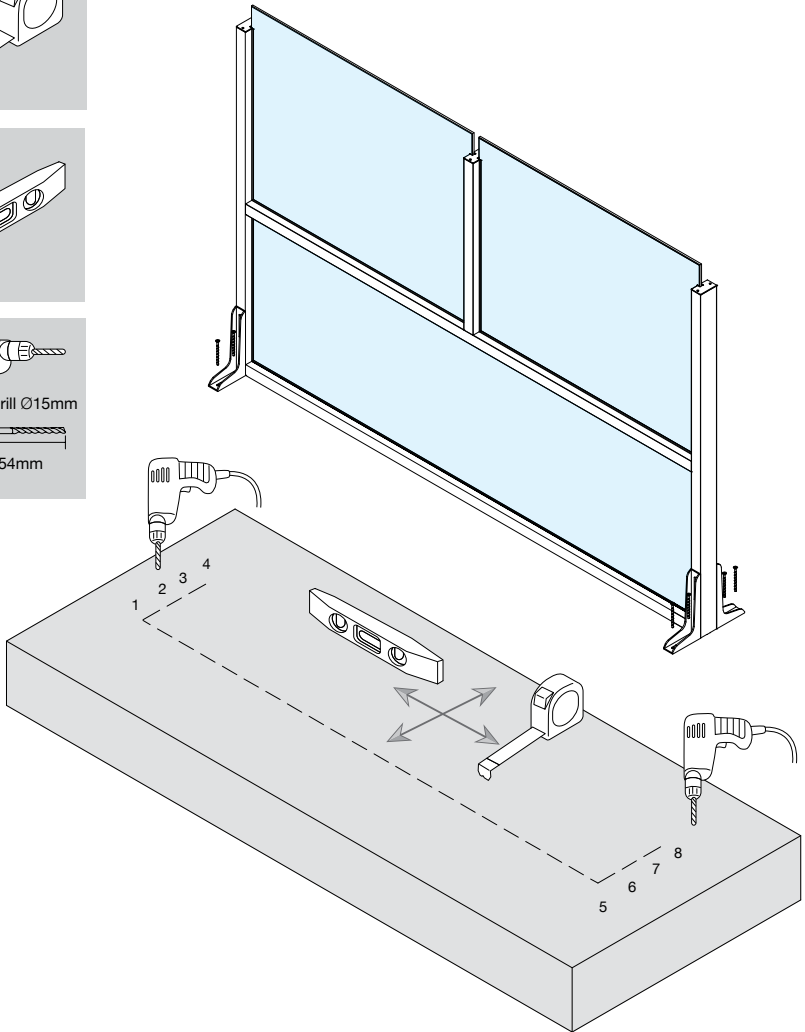
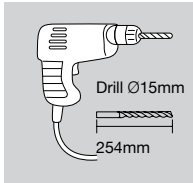
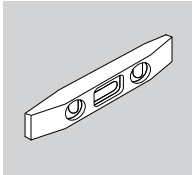
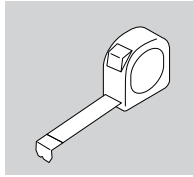


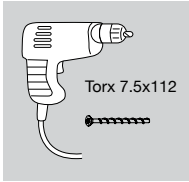
Open air



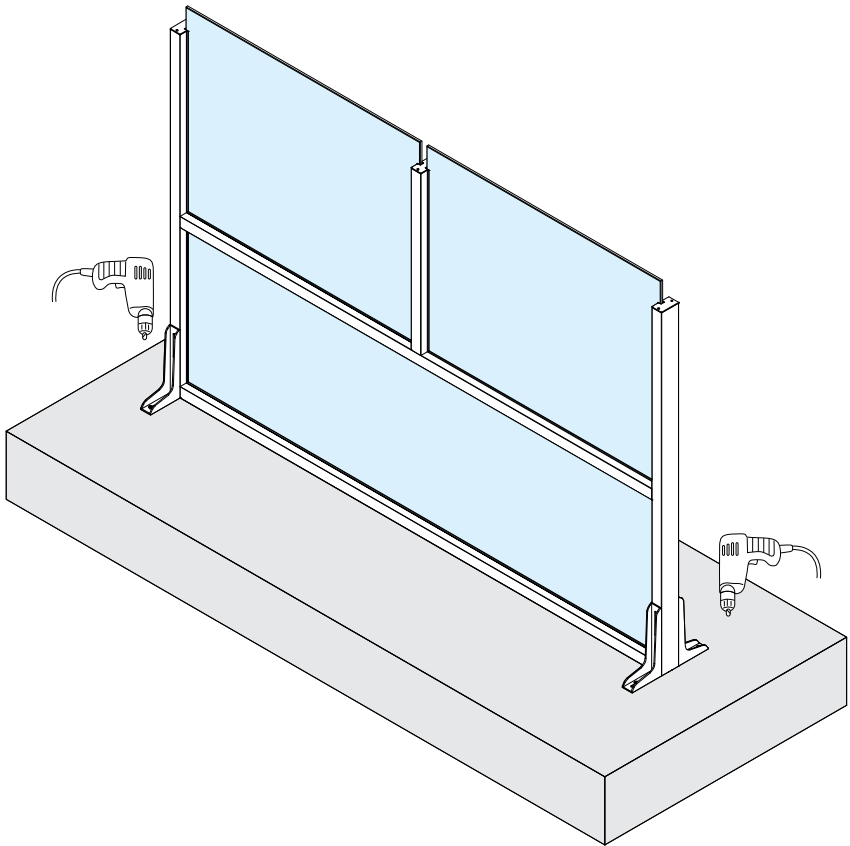
Ground fixing guide for
fixed typology

Ground fixing guide for fixed typology





Concrete Torx 7.5x112
Code EBM-75112G

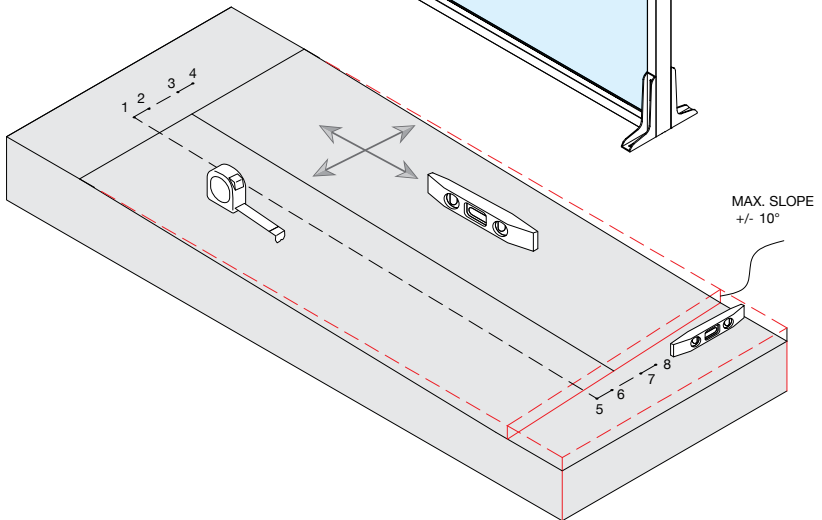
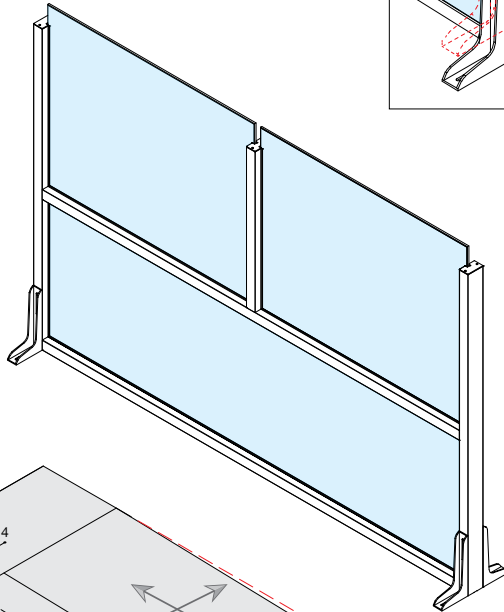
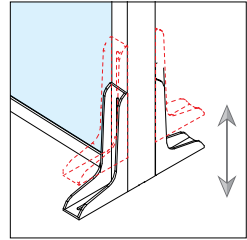
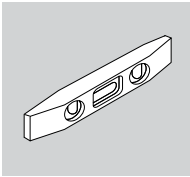
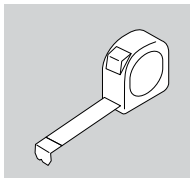
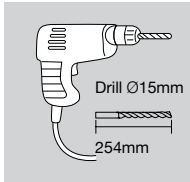


Open air

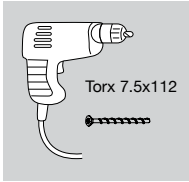


Ground fixing guide for fixed
typology - Installation with slope
 $\pm 10^\circ$

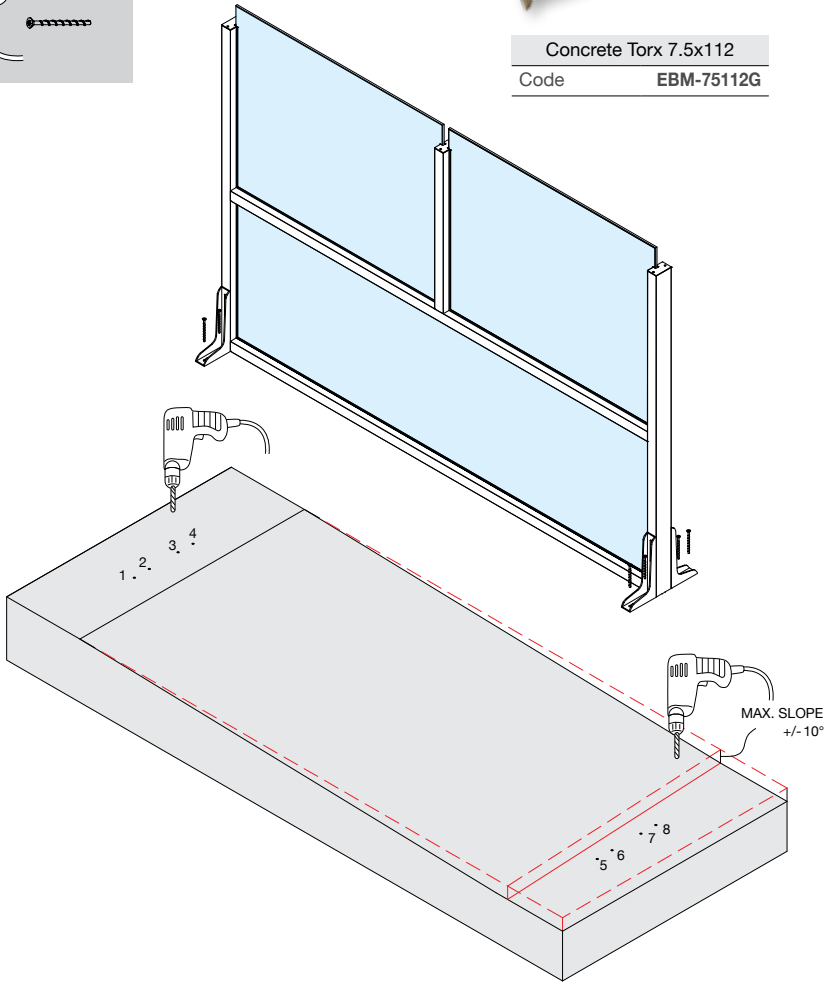
Ground fixing guide for fixed typology - Installation with slope $\pm 10^\circ$



Ground fixing guide for fixed typology - Installation with slope +/-10°



Concrete Torx 7.5x112
Code EBM-75112G



Ground fixing guide for fixed typology - Installation with slope +/-10°

